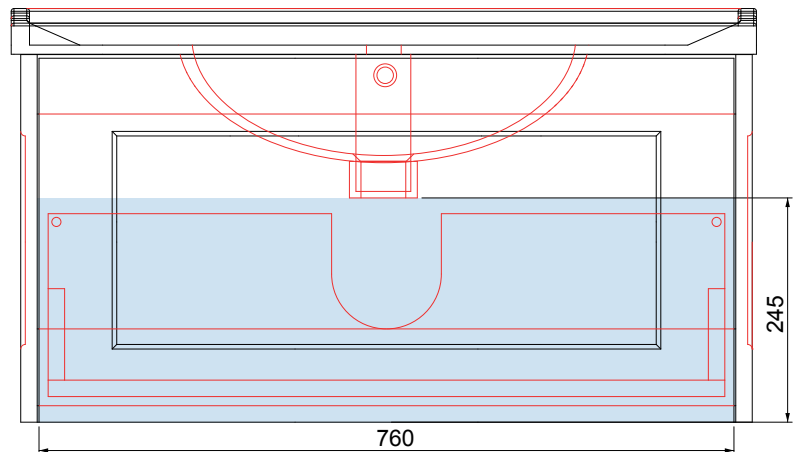
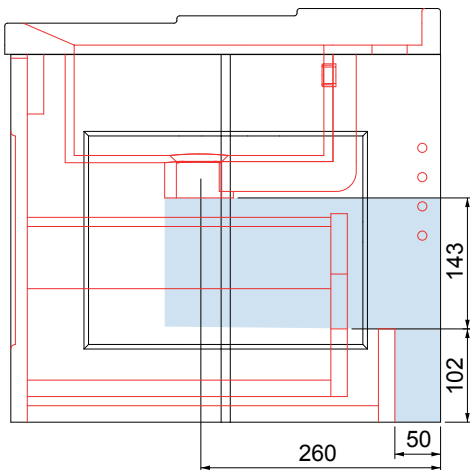
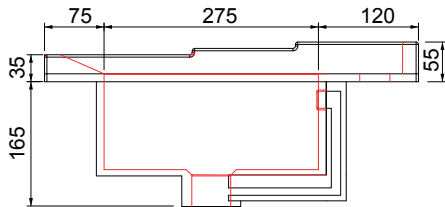
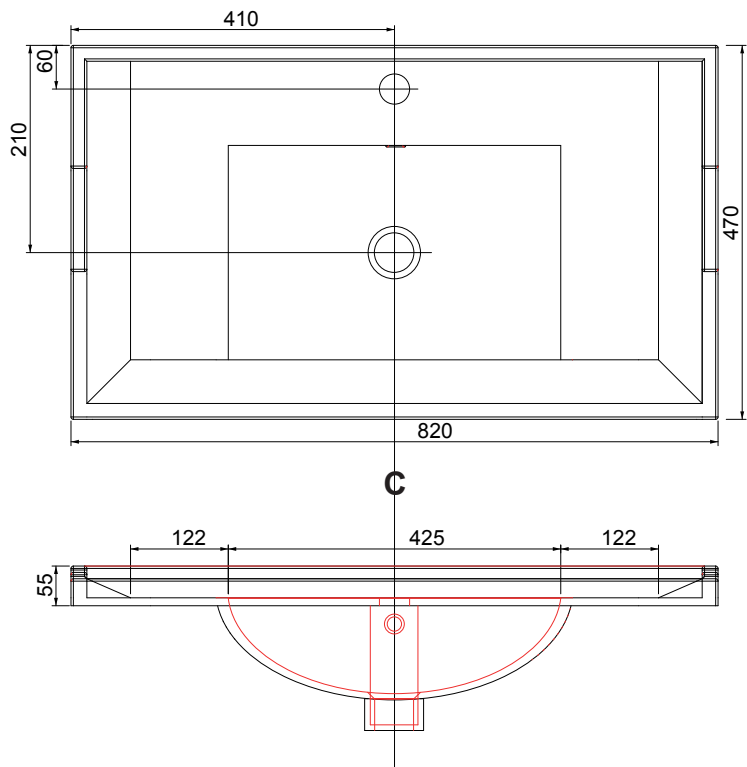


PRODUCT	CHELWORTH 800 VANITY CARCASS
UNIT SIZE	799w x 460d x 402h
BASIN	VALENZA CERAMIC BASIN
BASIN SIZE	815w x 470d x 55h

### FITTING ADVICE

- The shaded areas indicate the clear voids for the running of services.
- This unit can tilt forward. A secure wall fixing is required.
- To aid installation, it is recommended to remove the doors to give full access and to avoid damage.
- All wall to carcass and wall to basin joints should be sealed with silicone
- All dimensions are in mm.





## CERAMIC BASINS

Ceramic Basins are made out of liquefied fireclay which is poured into a mould and allowed to set before being hand finished. A ground glass glaze would typically be sprayed over the basin before the final firing.

This long-lasting, durable material suits a simple and minimalistic bathroom suite as well as a traditional Victorian look. Stains are easily removed and ceramic is generally easy to clean to maintain a shiny appearance. The slight ripples occasionally seen along its surface are often mistaken for flaws these are actually part of the ceramic basins characteristics.



To aid installation, it is recommended to remove the drawer to give full access and to avoid damage.

1. Fix the wall brackets and fit unit to wall.
2. Silicone around the top of the unit and place basin.
3. Silicone around the rear of the unit at wall abutment.
4. Re-fit drawer.

