

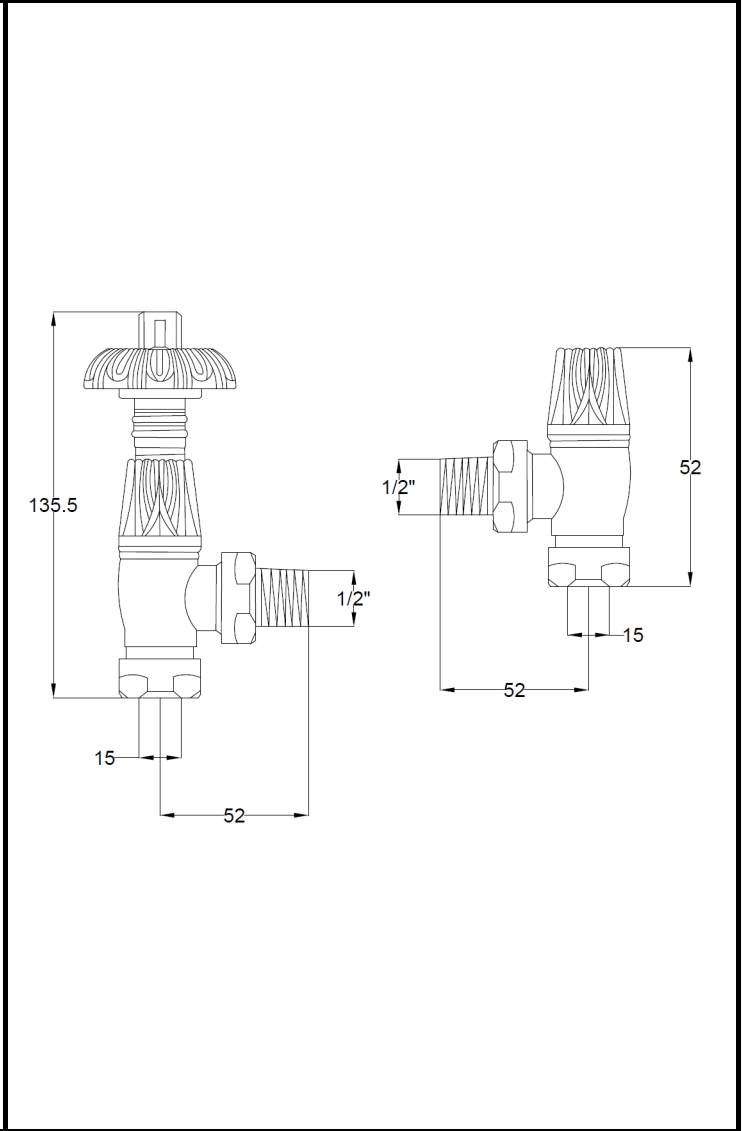
# B A Y S W A T E R

London W.2

**CODE:** BAYV106

**DESCRIPTION:** Angled Thermo Valve C/W Lockshield-Flute

**CATEGORY:** Heating



PRODUCT DIMENSIONS				
Height (mm)	Width (mm)	Depth (mm)	Length (mm)	Nett Wgt Kg
136	55	80		0.9

PACKAGING DIMENSIONS			
Height (mm)	Width (mm)	Length (mm)	Gross Wgt Kg
185	145	85	0.9

PACKAGING DATA			
Box Colour	White Cardboard Box		
Box Qty	1	Label Colour	White Label
Label Size	100 x 50	Label Qty	1

OUTER BOX DIMENSIONS (If Applicable)			
Height (mm)	Width (mm)	Length (mm)	Gross Wgt Kg
Barcode	5055275890202		

PRODUCT DETAILS					
Contry of Origin	United Kingdom				
Fitting Instruction	No				
RAL No	N/A				
Heat Element Wattage	Not Applicable				
BTU Outputs	30°C	N/A	50°C	N/A	60°C
Pipe Centres	N/A				
Packaging Volume (L)	N/A				
Wall to Ctr of Tappings	N/A				
Dual Fuel	N/A				

Certification	CE	N/A	RoHS	N/A	WEEE	N/A
Colour/Finish	Satin Nickel					
Product Material	Steel					
Heat Element Wattage Compatible	N/A					
Thermal Outputs (Watts)	30°C	N/A	50°C	N/A	60°C	
Max Projection	N/A					
Tube Diameter	N/A					
Floor to Ctr of Tappings	N/A					